

SIGN SUPPORT SYSTEMS CORP.

- ⇒ Repair damaged sign installations in minutes
- ⇒ Stop digging and drilling after a knock down
- ⇒ Make roads, sidewalks and parking lots safer

Break-Out™ by Sign Support Systems

Flush mount Round to Round signpost coupler with a true 360° breakaway feature.

FIELD PROVEN



NCHRP350 TESTED



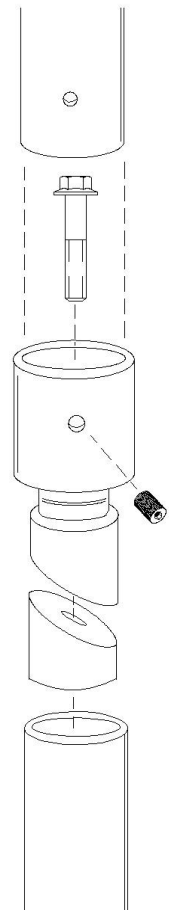
The round to round Break-Out is made from highly durable ductile iron which is much stronger and less likely to fatigue or fail under extreme winds than grey cast iron.

- Use this coupler if you want to convert an existing non conforming sign post to breakaway
- Just drop the coupler in the round anchor and tighten the bolt to install
- Safe: Only the patented Break-Out breaks completely flush with grade when impacted protecting pedestrians from trips and falls when posts are knocked over
- Safe: Only the patented Break-Out has a true 360° (actual circular) breakaway feature meaning it will reliably break-away at the same force irrespective of angle
- No more damage to bases or anchors!

Item No. *	Unit Weight	Use with post
BOR238-1316R	5.0	2-3/8" 13-16 Ga.
BOR238-1012R	5.0	2-3/8" 10-12 Ga.

* Comes complete with fasteners for easy installation

**BREAK-OUT IS PROTECTED BY U.S. PATENTS 6113055,
6457895, 7793910, 7779589, CANADIAN PATENTS CA
2417436, 2632252 INTERNATIONAL AND OTHER PATENTS
PENDING.**



TEL: 866-549-7706 FAX: 336-674-6690 WWW.SIGNSUPPORTS.COM

PO BOX 8041 GREENSBORO, NC 27419

SIGN SUPPORT SYSTEMS CORP.

- ⇒ Repair damaged sign installations in minutes
- ⇒ Stop digging and drilling after a knock down
- ⇒ Make roads, sidewalks and parking lots safer

Break-Out™ by Sign Support Systems

Flush mount Round signpost coupler with a true 360° breakaway feature.

FIELD PROVEN



NCHRP350 TESTED



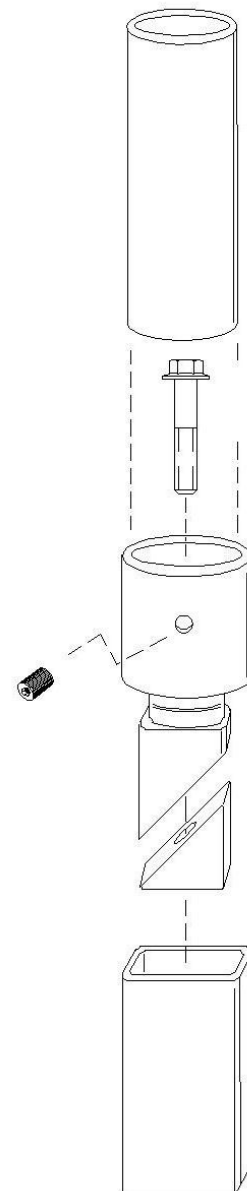
The Round Break-Out is made from highly durable ductile iron which is much stronger and less likely to fatigue or fail under extreme winds than grey cast iron.

- Use this coupler if you want to convert an existing non conforming sign post to breakaway
- Just drop the coupler in the Break-Out flush mount anchor and tighten the bolt to install
- Safe: Only the patented Break-Out breaks completely flush with grade when impacted protecting pedestrians from trips and falls when posts are knocked over
- Safe: Only the patented Break-Out has a true 360° (actual circular) breakaway feature meaning it will reliably break-away at the same force irrespective of angle
- No more damage to bases or anchors!

* Comes complete with fasteners for easy installation, items numbers HDAA (for concrete installs) and HDE32 (for soil installs) recommended for use with these couplers.

Item No. *	Unit Weight	Use with Round post
BOR238-1012	4.0	2-3/8" 10-12 ga / S40
BOR238-1316	4.5	2-3/8" 13-16 ga

**BREAK-OUT IS PROTECTED BY U.S. PATENTS 6113055,
6457895, 7793910, 7779589, CANADIAN PATENTS CA
2417436, 2632252 INTERNATIONAL AND OTHER PATENTS
PENDING.**



TEL: 866-549-7706 FAX: 336-674-6690 WWW.SIGNSUPPORTS.COM

PO BOX 8041 GREENSBORO, NC 27419

SIGN SUPPORT SYSTEMS CORP.

- ⇒ Repair damaged sign installations in minutes
- ⇒ Stop digging and drilling after a knock down
- ⇒ Make roads, sidewalks and parking lots safer

Break-Out™ by Sign Support Systems

Surface mount Round signpost coupler with a true 360° breakaway feature.

FIELD PROVEN

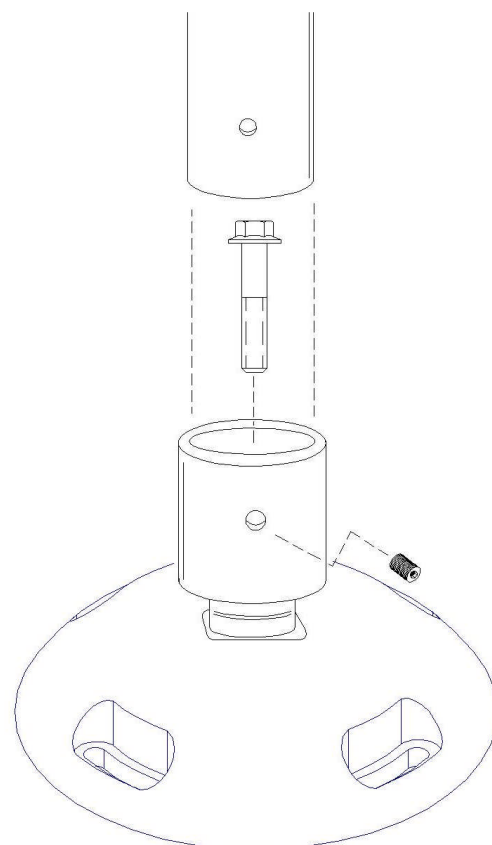


NCHRP350 TESTED



The surface mount breakaway for round sign post Break is made from highly durable ductile iron and aircraft aluminum which is much stronger and less likely to fatigue or fail under extreme winds than regular grey cast iron.

- There is no longer any need to core drill a large hole in concrete when wanting to install a sign
- Just attach the base to the concrete with drop in anchors and insert the round coupler then tighten center bolt
- Safe: Only the patented Break-Out breaks cleanly when impacted leaving the surface base in place
- Accepts replacement couplers for low cost simple repairs saving the base plate!
- Safe: True 360° (actual circular) breakaway feature means the Break-Out surface base will reliably break-away at the same force irrespective of angle.
- No more damage to bases or anchors!



Item No. *	Unit Weight	Use with post
SM1-R	10	2-3/8" Round

BREAK-OUT IS PROTECTED BY U.S. PATENTS 6113055, 6457895, 7793910, 7779589, CANADIAN PATENTS CA 2417436, 2632252 INTERNATIONAL AND OTHER PATENTS PENDING.

TEL: 866-549-7706 FAX: 336-674-6690 WWW.SIGNSUPPORTS.COM

PO BOX 8041 GREENSBORO, NC 27419

SIGN SUPPORT SYSTEMS CORP.

- ⇒ Repair damaged sign installations in minutes
- ⇒ Stop digging and drilling after a knock down
- ⇒ Make roads, sidewalks and parking lots safer

Break-Out™ by Sign Support Systems

Flush mount Square signpost coupler with a true 360° breakaway feature.

FIELD PROVEN



NCHRP350 TESTED



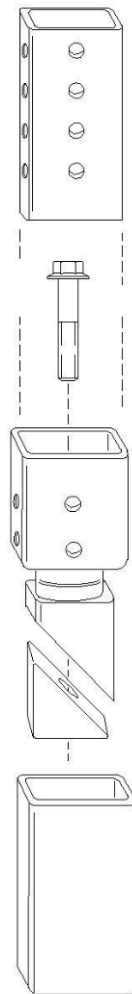
The Square Break-Out is made from highly durable ductile iron which is much stronger and less likely to fatigue or fail under extreme winds than grey cast iron.

- Use this coupler if you want to convert an existing non conforming sign post to breakaway
- Just drop the coupler in the Break-Out flush mount anchor and tighten the bolt to install
- Safe: Only the patented Break-Out breaks completely flush with grade when impacted protecting pedestrians from trips and falls when posts are knocked over
- Safe: Only the patented Break-Out has a true 360° (actual circular) breakaway feature meaning it will reliably break-away at the same force irrespective of angle
- No more damage to bases or anchors!

* Comes complete with fasteners for easy installation, items numbers HDAA (for concrete installs) and HDE32 (for soil installs) recommended for use with these couplers.

Item No. *	Unit Weight	Use with sq. post
BOS134-12	4.5	1-3/4" 12ga
BOS134-14	4.5	1-3/4" 14ga
BOS200-12A*	5.0	2-0/0" 12ga
BOS200-14	5.0	2-0/0" 14ga
BOS214-12*	5.5	2-1/4" 12ga

BREAK-OUT IS PROTECTED BY U.S. PATENTS 6113055, 6457895, 7793910, 7779589, CANADIAN PATENTS CA 2417436, 2632252 INTERNATIONAL AND OTHER PATENTS PENDING.



TEL: 866-549-7706 FAX: 336-674-6690 WWW.SIGNSUPPORTS.COM

PO BOX 8041 GREENSBORO, NC 27419

SIGN SUPPORT SYSTEMS CORP.

- ⇒ Repair damaged sign installations in minutes
- ⇒ Stop digging and drilling after a knock down
- ⇒ Make roads, sidewalks and parking lots safer

Break-Out™ by Sign Support Systems

Surface mount Square signpost coupler with a true 360° breakaway

FIELD PROVEN



NCHRP350 TESTED

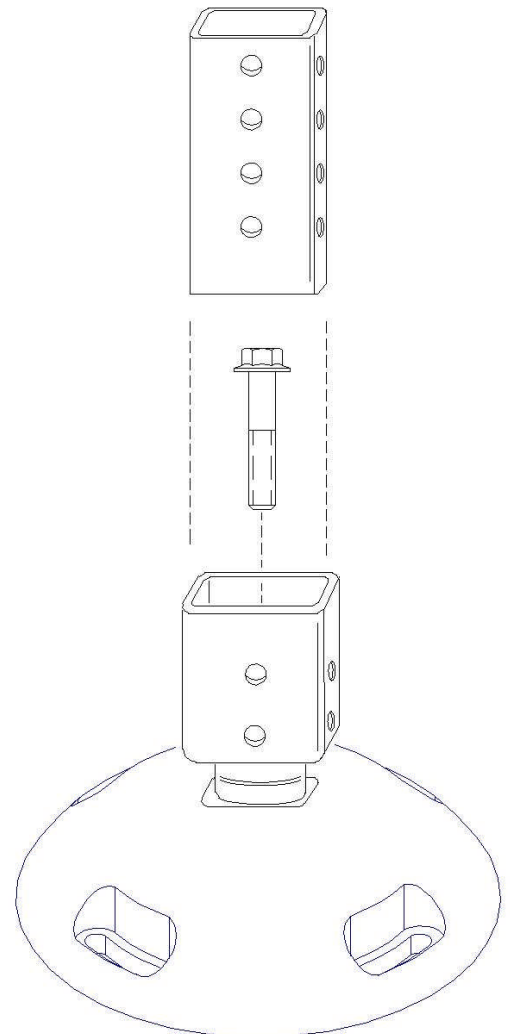


The surface mount breakaway for round sign post Break is made from highly durable ductile iron and aircraft aluminum which are much stronger and less likely to fatigue or fail under extreme winds than regular grey cast iron.

- There is no longer any need to core drill a hole in concrete when wanting to install a sign post
- Just attach the base to the concrete with drop in anchors and insert the round coupler then tighten center bolt
- Safe: Only the patented Break-Out breaks cleanly when impacted leaving the surface base in place
- Accepts replacement couplers for low cost simple repairs saving the base plate!
- Safe: True 360° (actual circular) breakaway feature means the Break-Out surface base will reliably break-away at the same force irrespective of angle.
- No more damage to bases or anchors!

Item No. *	Unit Weight	Use with post
SM1-S	10	2" Square
SM1-S2	10	1-3/4" Square

BREAK-OUT IS PROTECTED BY U.S. PATENTS 6113055, 6457895, 7793910, 7779589, CANADIAN PATENTS CA 2417436, 2632252 INTERNATIONAL AND OTHER PATENTS PENDING.



TEL: 866-549-7706 FAX: 336-674-6690 WWW.SIGNSUPPORTS.COM

PO BOX 8041 GREENSBORO, NC 27419

SIGN SUPPORT SYSTEMS CORP.

- ⇒ Repair damaged sign installations in minutes
- ⇒ Stop digging and drilling after a knock down
- ⇒ Make roads, sidewalks and parking lots safer

Break-Out™ by Sign Support Systems

Flush mount U Channel signpost coupler with a true 360° breakaway feature.

FIELD PROVEN



NCHRP350 TESTED

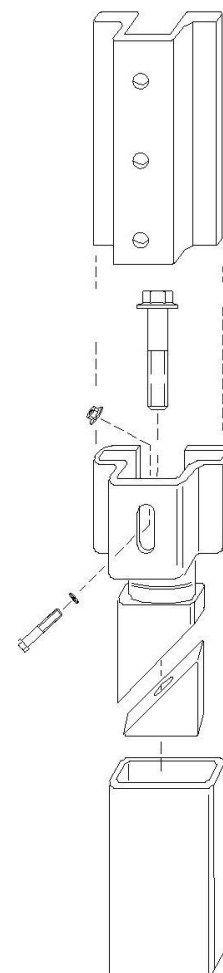


The U Channel Break-Out is made from highly durable ductile iron which is much stronger and less likely to fatigue or fail under extreme winds than grey cast iron.

- Use this coupler if you want to convert an existing non conforming sign post to breakaway
- Just drop the coupler in the Break-Out flush mount anchor and tighten the bolt to install
- Safe: Only the patented Break-Out breaks completely flush with grade when impacted protecting pedestrians from trips and falls when posts are knocked over
- Safe: Only the patented Break-Out has a true 360° (actual circular) breakaway feature meaning it will reliably break-away at the same force irrespective of angle
- No more damage to bases or anchors!

* Comes complete with fasteners for easy installation, items numbers HDAA (for concrete installs) and HDE32 (for soil installs) recommended for use with these couplers.

Item No. *	Unit Weight	Use with U post
BOU200	4.0	2.0 Lb / Ft
BOU300	4.5	3.0 Lb / Ft



BREAK-OUT IS PROTECTED BY U.S. PATENTS 6113055, 6457895, 7793910, 7779589, CANADIAN PATENTS CA 2417436, 2632252 INTERNATIONAL AND OTHER PATENTS PENDING.

TEL: 866-549-7706 FAX: 336-674-6690 WWW.SIGNSUPPORTS.COM

PO BOX 8041 GREENSBORO, NC 27419

SIGN SUPPORT SYSTEMS CORP.

- ⇒ Repair damaged sign installations in minutes
- ⇒ Stop digging and drilling after a knock down
- ⇒ Make roads, sidewalks and parking lots safer

Break-Out™ by Sign Support Systems

Surface mount U-Channel signpost coupler with a true 360° breakaway feature.

FIELD PROVEN



NCHRP350 TESTED

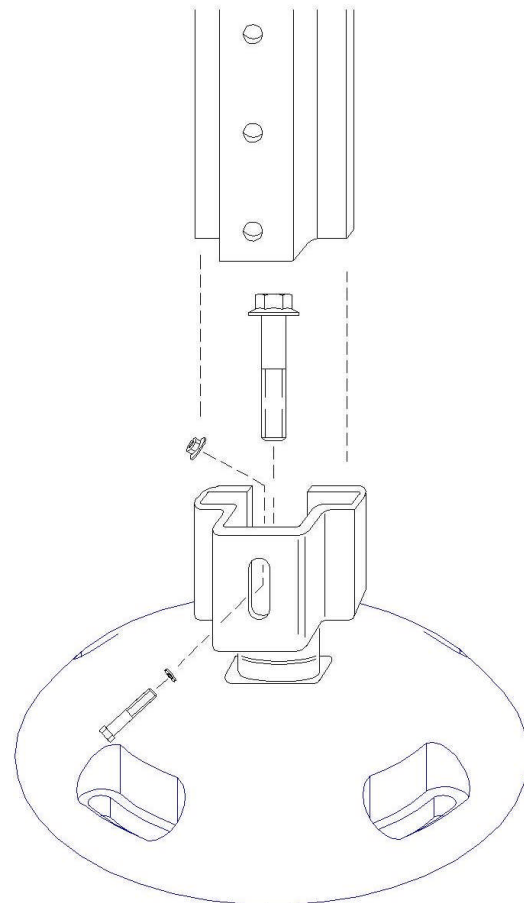


The surface mount breakaway for round sign post Break is made from highly durable ductile iron and aircraft aluminum which is much stronger and less likely to fatigue or fail under extreme winds than regular grey cast iron.

- There is no longer any need to core drill a hole in concrete when wanting to install a sign post
- Just attach the base to the concrete with drop in anchors and insert the round coupler then tighten center bolt
- Safe: Only the patented Break-Out breaks cleanly when impacted leaving the surface base in place
- Accepts replacement couplers for low cost simple repairs saving the base plate!
- Safe: True 360° (actual circular) breakaway feature means the Break-Out surface base will reliably break-away at the same force irrespective of angle.
- No more damage to bases or anchors!

Item No. *	Unit Weight	Use with post
SM1-U2	10	2lb. U Channel
SM1-U3	10	3lb. U Channel

BREAK-OUT IS PROTECTED BY U.S. PATENTS 6113055, 6457895, 7793910, 7779589, CANADIAN PATENTS CA 2417436, 2632252 INTERNATIONAL AND OTHER PATENTS PENDING.



TEL: 866-549-7706 FAX: 336-674-6690 WWW.SIGNSUPPORTS.COM

PO BOX 8041 GREENSBORO, NC 27419

SIGN SUPPORT SYSTEMS CORP.

- ⇒ Repair damaged sign installations in minutes
- ⇒ Stop digging and drilling after a knock down
- ⇒ Make roads, sidewalks and parking lots safer

Break-Out™ by Sign Support Systems

Flush mount anchor for existing concrete slab 4" thick or more.

FIELD PROVEN



NCHRP350 TESTED

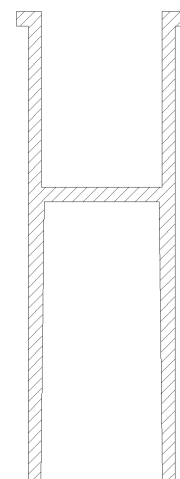


- Super high strength at the top of the anchor system where loads from impact, vandalism and wind are applied.
- The inside is sealed to prevent ground water from entering the top portion, where the post is attached.
- The upper portion has crescent shaped tabs which reduce or eliminate the need for flashing or sealer when installed in a 3" diameter hole made in existing concrete.
- The bottom of the adapter incorporates a unique permanent mechanical locking feature enabling extension pieces to be attached in the field without the need for fasteners or welds.
- Extension pieces can be made from scrap perforated square tubing or lighter gauge material making it easier to drive while not sacrificing strength when a longer anchor is called for.



Item No. *	Unit Weight	Use with post
HDAA	8	ALL COUPLERS EXCEPT 1-3/4" SQUARE
HDAA134	8	ONLY 1-3/4" COUPLERS

BREAK-OUT IS PROTECTED BY U.S. PATENTS 6113055, 6457895, 7793910, 7779589, CANADIAN PATENTS CA 2417436, 2632252 INTERNATIONAL AND OTHER PATENTS PENDING.



TEL: 866-549-7706 FAX: 336-674-6690 WWW.SIGNSUPPORTS.COM

PO BOX 8041 GREENSBORO, NC 27419

SIGN SUPPORT SYSTEMS CORP.

- ⇒ Repair damaged sign installations in minutes
- ⇒ Stop digging and drilling after a knock down
- ⇒ Make roads, sidewalks and parking lots safer

Break-Out™ by Sign Support Systems

Flush mount anchor for soil or asphalt or concrete slabs less than 4" thick.

FIELD PROVEN



NCHRP350 TESTED



- Super high strength at the top of the anchor system where loads from impact, vandalism and wind are applied.
- The inside is sealed to prevent ground water from entering the top portion, where the post is attached.
- The upper portion has crescent shaped tabs which reduce or eliminate the need for flashing or sealer when installed in a 3" diameter hole made in existing concrete.
- The bottom of the anchor incorporates a unique permanent mechanical locking feature enabling for a light weight extension piece to be attached in the field without the need for fasteners or welds.
- Extension pieces save money by requiring less material and speeding install times when driven.

Item No. *	Unit Weight	Use with post
HDAA-30	8	ALL COUPLERS EXCEPT 1-3/4" SQUARE
HDAA134-30	8	ONLY 1-3/4" COUPLERS

BREAK-OUT IS PROTECTED BY U.S. PATENTS 6113055, 6457895, 7793910, 7779589, CANADIAN PATENTS CA 2417436, 2632252 INTERNATIONAL AND OTHER PATENTS PENDING.

TEL: 866-549-7706 FAX: 336-674-6690 WWW.SIGNSUPPORTS.COM

PO BOX 8041 GREENSBORO, NC 27419

